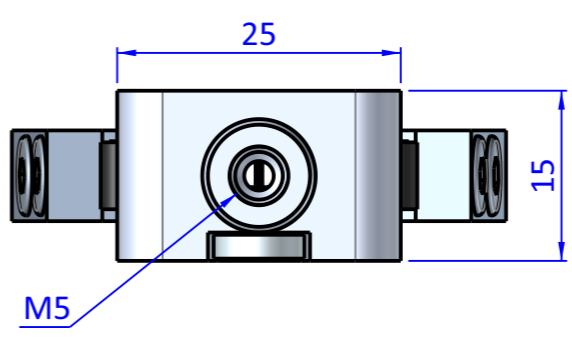
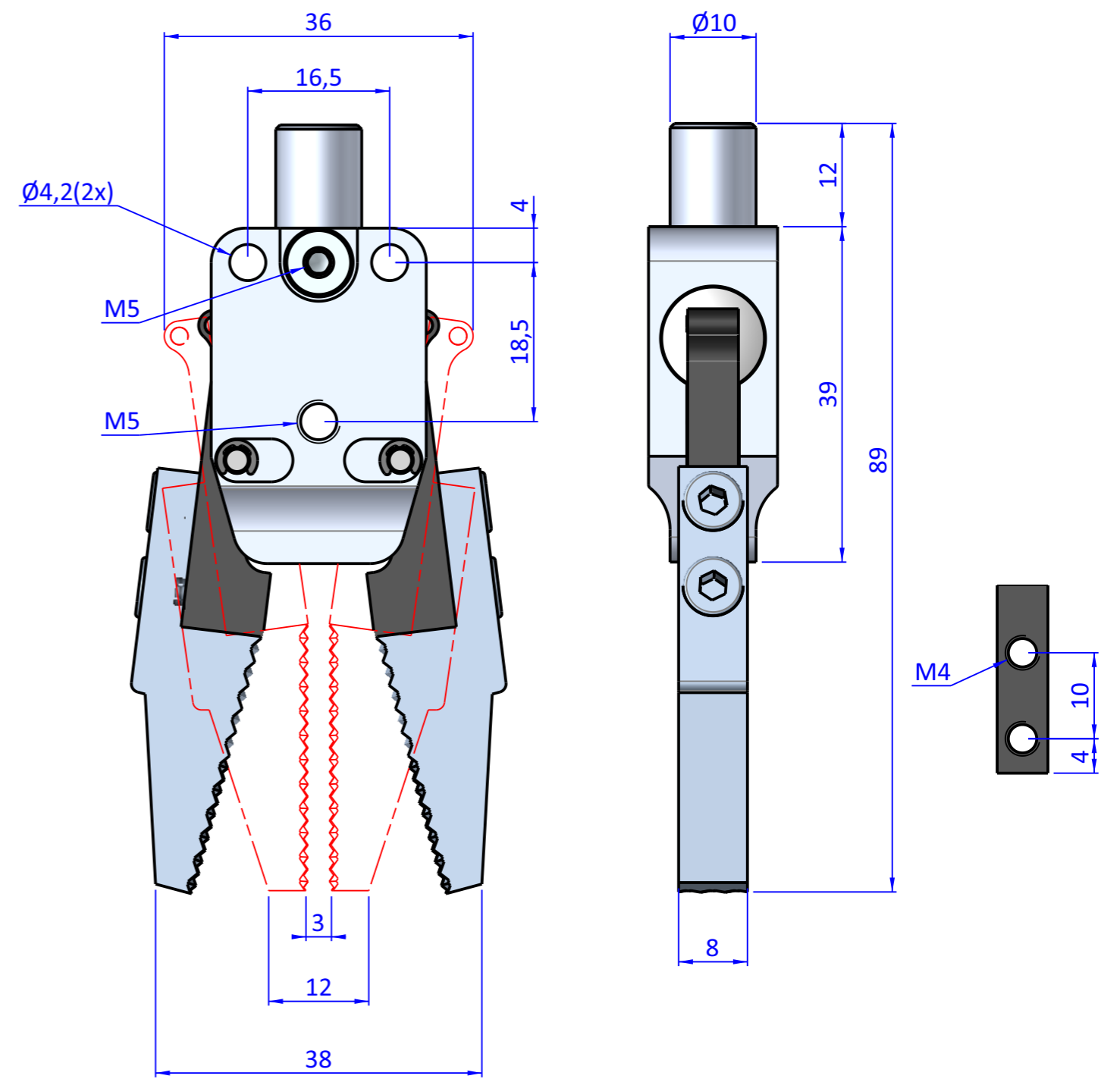
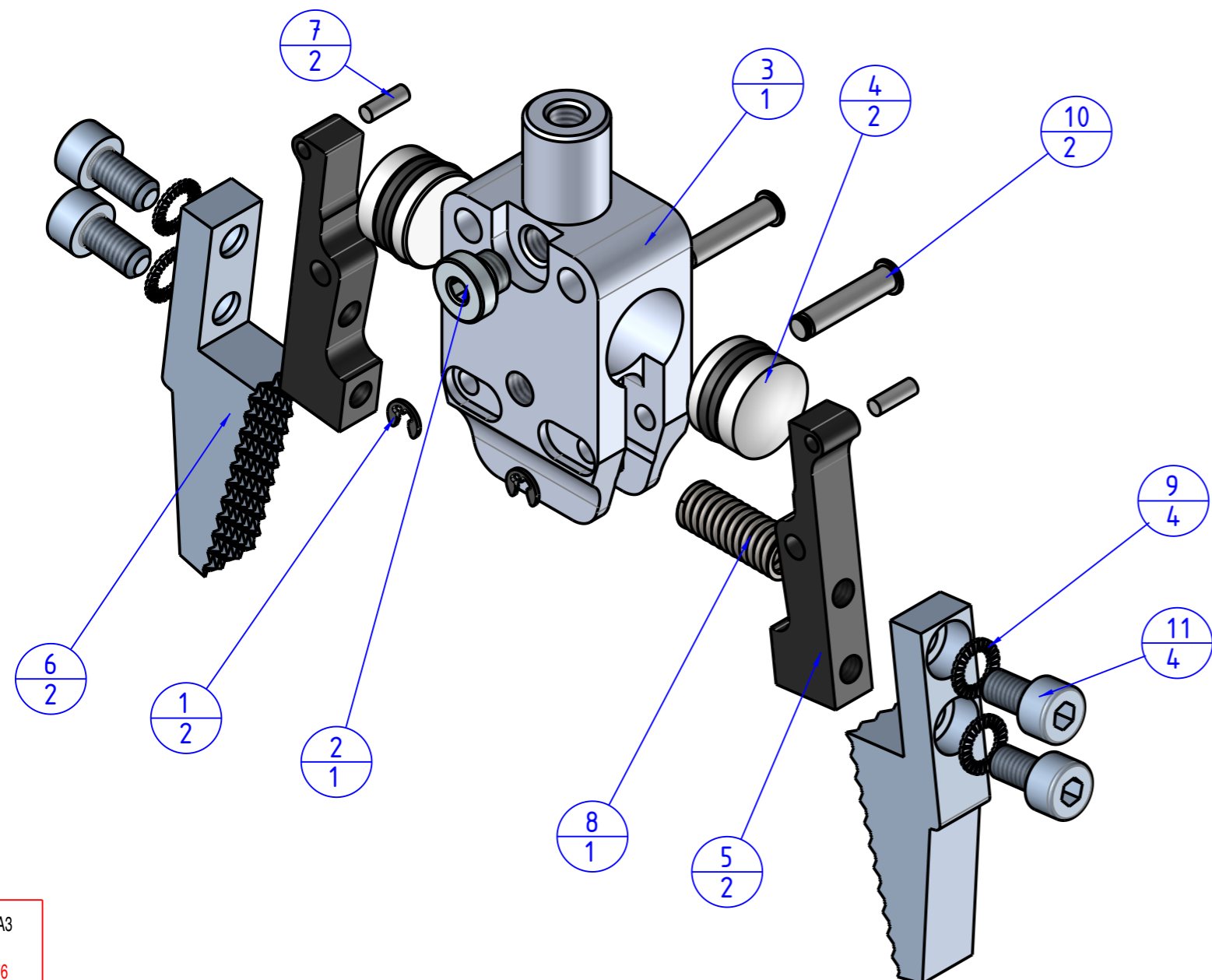



Item	Name	Q.ty
1	A.ELA.RA1.9	2
2	CA.08.14.013	1
3	GZA.10.12.1.L.01	1
4	GZA.10.12.2.OR	2
5	GZA.10.12.4	2
6	GZA.10.12.4.12	2
7	GZA.10.12.9	2
8	M.6x25.SH	1
9	R.4.SCH	4
10	SP.3x15SS	2
11	V.TCE4x8	4



THE PROPERTY OF THE DRAWING IS ESTABLISHED BY LAW. IT IS FORBIDDEN TO PRODUCE OR SHOW IT TO THIRD PART, WITHOUT A WRITTEN AGREEMENT.

Format A3
UNI 936-76

 FPS FPSERVICES AUTOMATION		DESIGNED FROM		REVIEW
		FPS Automation		A
GENERAL TOLERANCE		DATE	WEIGHT	
UNI - ISO 2768		17/10/2023	0,054kg	
CLASSE f		DESCRIPTION	CODE	
		CA.GZA.10.12.C	CA.GZA.10.12.103	